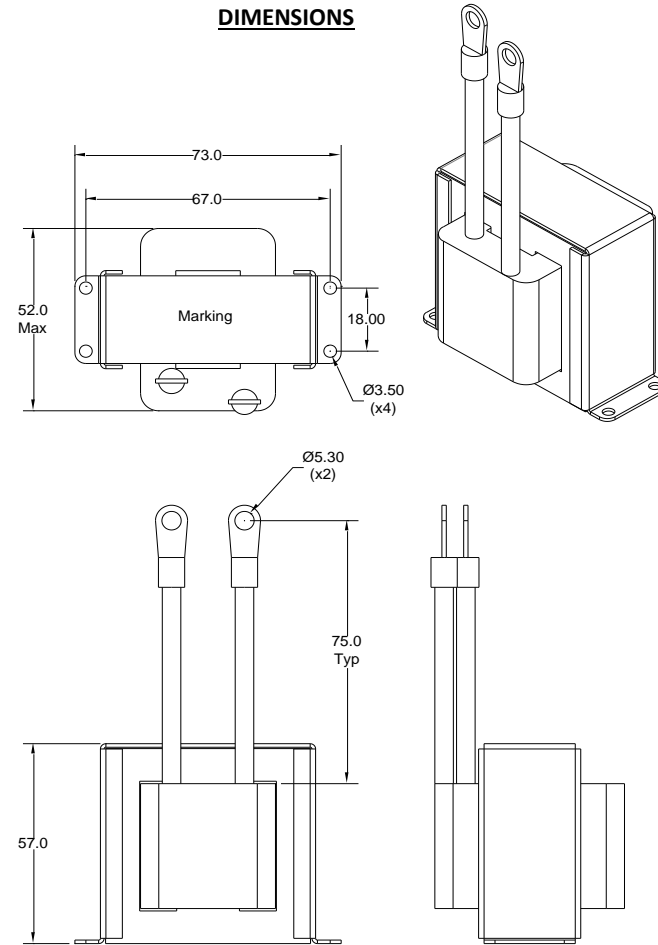


Rev	Description	By	Date
A	Released for production	AG	19-Oct-21

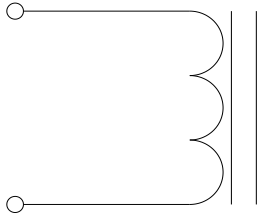
ELECTRICAL SPECIFICATIONS @ 25°C

L: 10μH±10% @ 100kHz, 1Vrms
 ΔL≤10% @ 80Adc
 DCR: 2.0mΩ Max
 Hipot: 2kVac, 1mA Max, 5s (wdg to bracket)
 RoHS Compliant: Yes

DIMENSIONS



SCHEMATIC




MARKING

MPS
 P1655B-100_Rev#
 Date Code

Dimensions: mm

Notice of Proprietary Property These drawings and specifications are the property of MPS and shall not be, reproduced, copied or used as the basis of manufacture of sale of apparatus without express written authorization			
Dimensions Unless otherwise specified .X ± .5mm .XX ± .25mm	DRAWN BY: CHECKED BY:	AG AY	19-Oct-21 19-Oct-21

		MPS INDUSTRIES, INC. www.mpsind.com Tel: (310) 325-1043 Fax: (310) 325-1044	
Description			
Resonant Inductor			
Part Number	P1655B-100		REV
			A
WEIGHT: XX gms		SHEET: 1 OF 1	